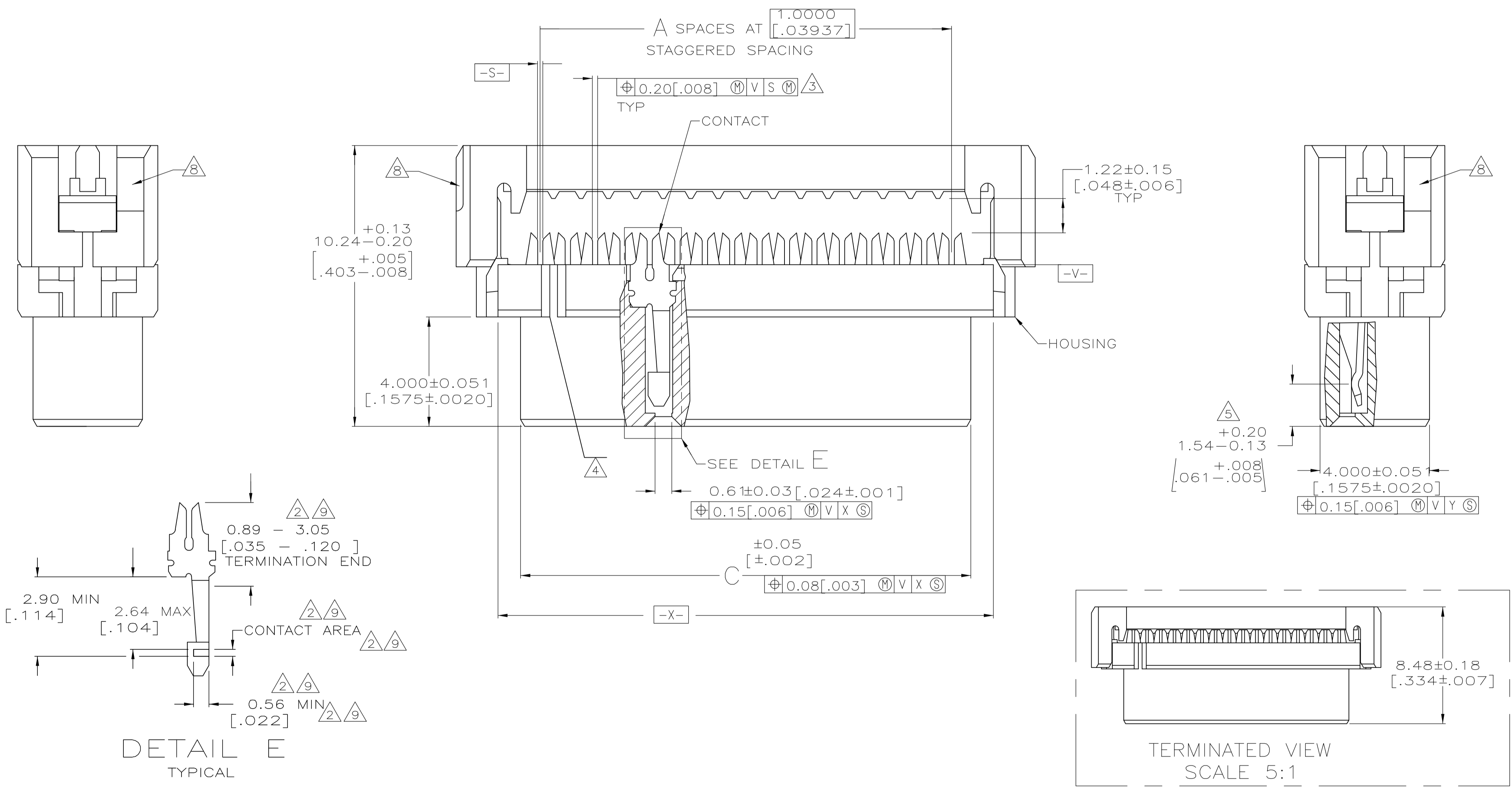
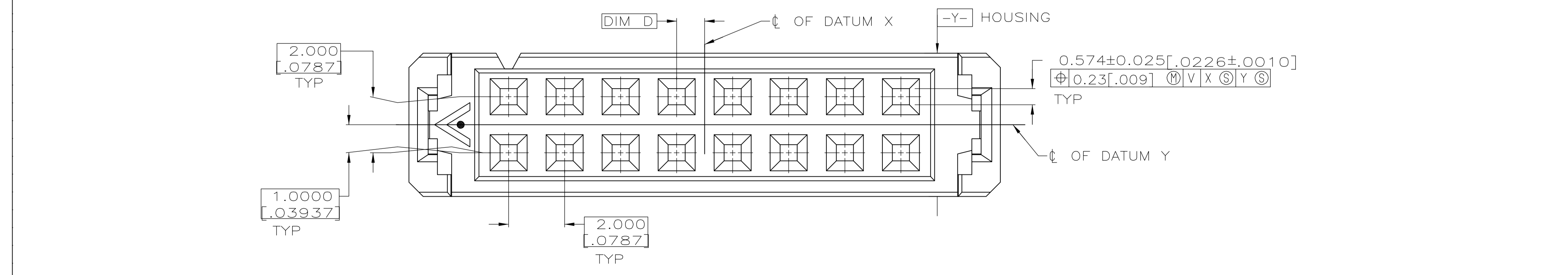


- 1 MOLDING PARTS: POLYESTER, UL RATED 94V-0, BLACK. CONTACTS: BERYLLIUM COPPER.
- 2 $2.54 \mu\text{m}$ [.000100] MIN TIN-LEAD ON TERMINATION END, $0.76 \mu\text{m}$ [.000030] MIN GOLD ON CONTACT AREA, ALL OVER $1.27 \mu\text{m}$ [.000050] MIN NICKEL.
- 3 POSITION TOLERANCE APPLIES 0.76 [.030] ABOVE DATUM V.
- 4 POSITION NUMBER 1 INDICATOR.
- 5 ELECTRICAL ENGAGEMENT ZONE.
- 6. RECOMMENDED 28 AWG RIBBON CABLE, 0.61 - 0.97 [.024 - .038] THICK PVC, 1.0000 [.03937] PITCH.
- 7 AMP LOGO ORIENTATION IS OPTIONAL.
- 8 RECESS ON EACH END, OPPOSITE CORNER.
- 9 $0.13 \mu\text{m}$ [.000005] MIN GOLD ON TERMINATION END, $0.76 \mu\text{m}$ [.000030] MIN GOLD ON CONTACT AREA, ALL OVER $1.27 \mu\text{m}$ [.000050] MIN NICKEL.
- 10 MOLD GATE PROJECTION ON EITHER END OF COVER TO BE EXCLUDED FROM DIMENSION 'B' MEASUREMENT.



REV	DESCRIPTION	DATE	BY	CHKD	APPD
25	26	2-111626-7			
23	24	2-111626-6			
15	16	2-111626-5			
7	8	2-111626-4			
49	50	2-111626-3			
43	44	2-111626-2			
39	40	2-111626-1			
33	34	2-111626-0			
19	20	1-111626-9			
13	14	1-111626-8			
9	10	1-111626-7			
OBSOLETE	7	8	1-111626-6		
OBSOLETE	21	22	1-111626-5		
OBSOLETE	67	68	1-111626-4		
OBSOLETE	63	64	1-111626-3		
OBSOLETE	59	60	1-111626-2		
OBSOLETE	49	50	1-111626-1		
OBSOLETE	43	44	1-111626-0		
OBSOLETE	39	40	111626-9		
OBSOLETE	33	34	111626-8		
OBSOLETE	29	30	111626-7		
OBSOLETE	25	26	111626-6		
OBSOLETE	23	24	111626-5		
OBSOLETE	19	20	111626-4		
OBSOLETE	15	16	111626-3		
OBSOLETE	13	14	111626-2		
OBSOLETE	9	10	111626-1		



THIS DRAWING IS A CONTROLLED DOCUMENT. DIMENSIONS: mm [INCHES]. TOLERANCES UNLESS OTHERWISE SPECIFIED: 0 PLC ±, 1 PLC ±, 2 PLC ± ± 0.08 [.003], 3 PLC ±, 4 PLC ±, ANGLES ±. MATERIAL: POLYESTER. FINISH: TIN-LEAD, GOLD, NICKEL. Tyco Electronics Corporation, Harrisburg, PA 17105-3608. RECEPTACLE ASSY, 2mm CL, AMP-LATCH. SIZE: A1.00779. DRAWING NO: 111626. SCALE: 10:1. SHEET: 1 OF 1. REV: M1.